

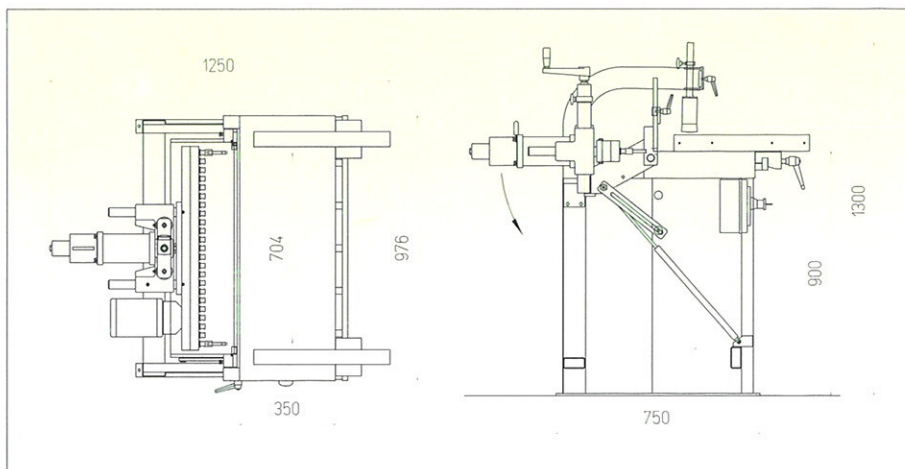
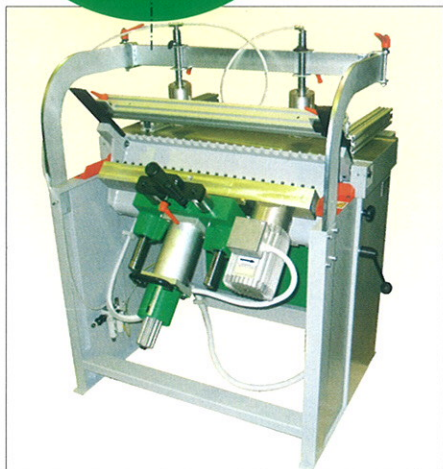
Horizontal - Vertical Dowel Hole Boring Machine D-23

PE MASKINER

Søgade 9
DK 8643 Ans By
Tlf: +45 8687 0535 Fax: +45 8687 0776
www.pemaskiner.dk - mail@pemaskiner.dk



detel 



Dowel hole boring machine D-23 is purposed for vertical and horizontal drilling of surface and other furniture elements. This machines is very suitable for quick exchange of production program. All required machine adjustment can be performed manually in few minutes. Drilling unit with 23 spindles is adjustable perpendicular to the drilling direction and under any angle from 0 to 90 degrees. Lifting of drilling unit from vertical to horizontal position is achieved by hand. All the equipment can be arranged to meet customer's specification (additional clamp units, pneumatic lifting, hydraulically brake on working cylinder, automatic drilling cycles, different spindle distances, etc.).

Technological features of the machine:

drilling from below assures clean working table and irrespective of a workpiece thickness tolerance the depth of drilling remains the same

drilling depth adjustment is the same at vertical and horizontal drilling and at any angles from 0 to 90 degrees

digital drilling height adjustment



Option: Attached drilling head for hinges

Note: Technical data and illustrations are not binding. We reserve the right carry out modifications without any previous notice.

Technical data	Europe	USA
Number of spindles	23	23
Axial distance	32 mm	32 mm
Distance between the first and the last drill	704 mm	704 mm
Maximum depth of a stroke	90 mm	3,5"
Size of working table	976 x 350 mm	38" x 14"
Maximal dimensions of the workpiece	910 x 2500 mm	36" x 100"
Number of revolutions	2800 rpm	3300 rpm
Electric motor power	1.4 kW	2 HP
Electric voltage, frequency	220/380 V, 50 Hz	220 V, 60 Hz, 3-phase
Working pressure	6 bar	90 psi
Air consumption	10 NI/cycle	0,35 cu.ft./cycle
Weight (gross/net)	320/280 kg	700/620 pounds
Machine dimensions (width, depth, height)	1020x1250x1300	40" x 49" x 51"
Packing size (width, depth, height)	1050x850x1450	41" x 34" x 57"